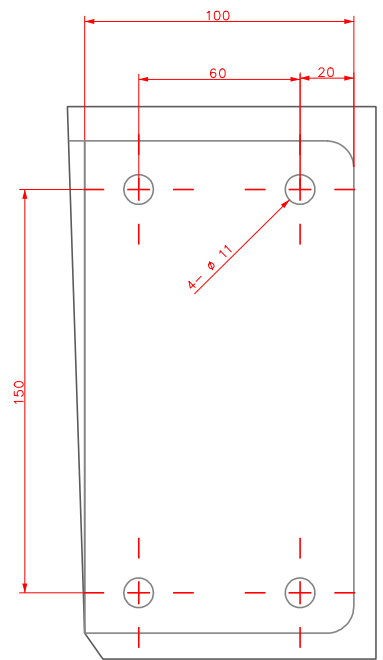
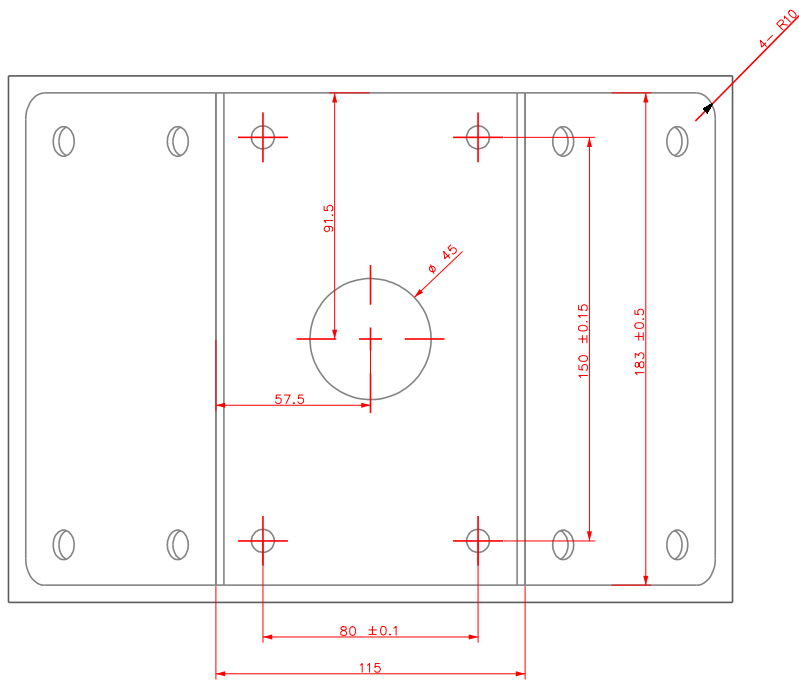
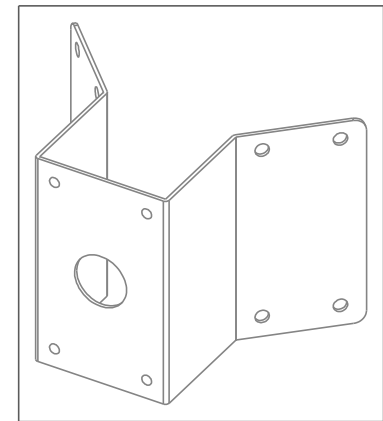
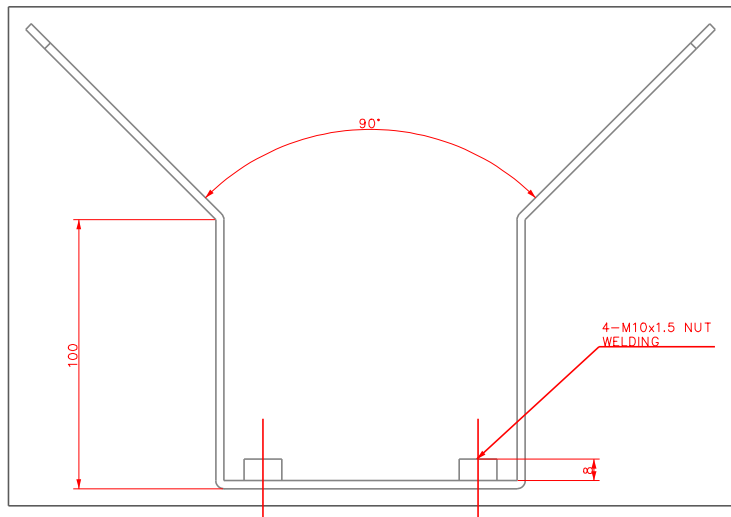


NO.	PART NAME	CODE NO.	COLOR	QTY	REMARK



This parts should not contain any substances which are specified in 00A-2049

CHANGE

UNIT	mm	DESIGN	CHECK	APPROVAL	PART NAME
SCALE	/1				CORNER MOUNT
NODE	DIRECTORY	FILE NAME			SBP-300KM
SAMSUNG TECHWIN CO.				CODE NO	